



202 Chrome

Classic Design and Excellent Performance

An extremely reliable and cost-effective alarm system with a high detection range

•
Ideal for many retail environments and particularly suitable for shops with smaller entrances thanks to the compact size

Key Features

- Swedish design
- Compact and space-saving
- Cost-effective
- Narrow footprint to save valuable entrance space
- Swept system
- Gatenet compatible

Options

- Remote service – technical service carried out off-site at minimum cost
- Antenna protection





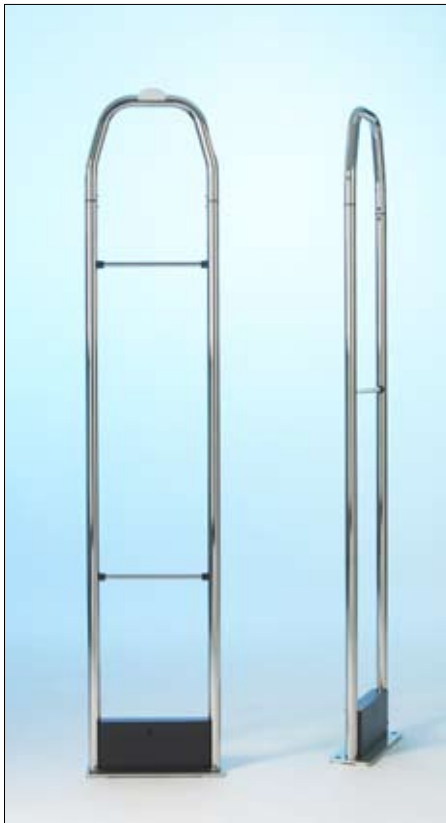
202 Chrome

High-Quality Hard Tags and Labels

Gateway offers a full range of high-quality hard tags and labels, specially designed for our systems. Find our complete range in the Gateway Consumables product brochure!

Added Value with Gatenet Software

Gatenet software is an easy way to get even more out of your EAS system. It monitors your EAS systems to give you valuable input for your security work and allows remote services and adjustments. Find out more about Gatenet in the Gatenet concept brochure!



Space-saving antenna with classic design

Authorised Dealer:

Specifications

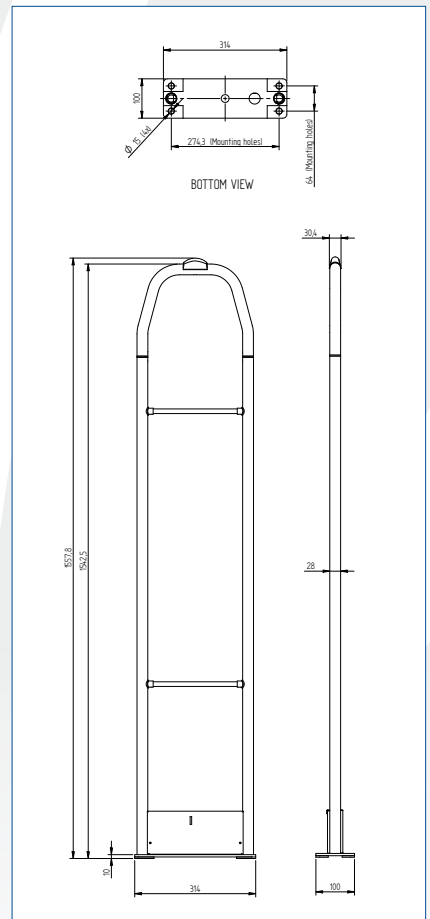
Art. no.	3022
Width	300mm
Height	1540mm
Thickness	37mm
Thickness at base	100mm
Weight	15kg
Colour	Chrome
Standard frequency	8.2MHz
Approval	CE

Detection Range^{1) 2)} Up to

Polar Tag RF	1.50m
Slim Tag RF	1.50m
Mini Square RF	1.60m
Galaxy Midi RF	1.70m
Paper Label (40x40mm)	1.40m

¹⁾ Detection range on each side of antenna

²⁾ Tested with Gateway tags in different orientations. Effective rate of detection is influenced by the store environment.



GWGB-4002.R2



www.gateway-security.com

Gunnebo Gateway AB is a Swedish supplier of anti-theft systems for the retail sector worldwide. We are the only company to develop, manufacture and market solutions built on every existing form of Electronic Article Surveillance (EAS) technology.

